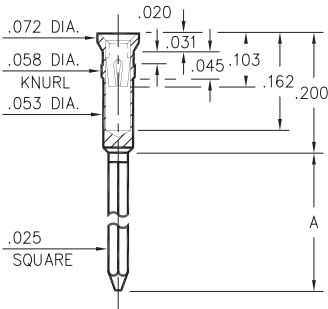


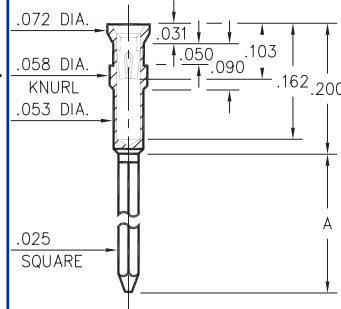
0444



Basic Part Number	# of Wraps	Length A
0444-1	1	.260
0444-2	2	.370
0444-3	3	.505

0444-X-17-XX-30-XX-02-0
Press-fit in .056 mounting hole

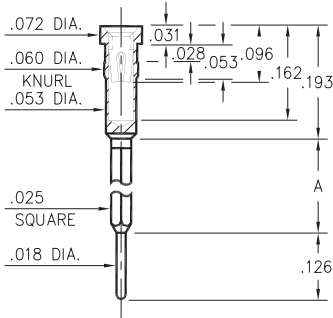
0445



Basic Part Number	# of Wraps	Length A
0445-3	3	.505

044X-X-17-XX-30-XX-02-0
Press-fit in .056 mounting hole

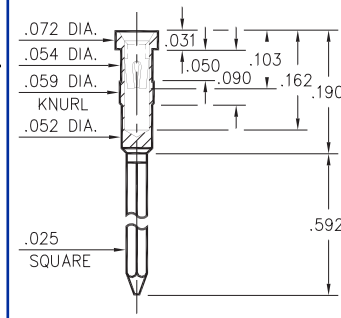
2601 ⇒ 2603



Basic Part Number	# of Wraps	Length A
2601-0	1	.232
2602-0	2	.350
2603-0	3	.468

260X-X-17-XX-30-XX-02-0
Press-fit in .057 mounting hole

1047



1047-3-17-XX-30-XX-02-0
Press-fit in .056 mounting hole

SPECIFICATIONS

SHELL MATERIAL:
Brass Alloy 360, 1/2 Hard

CONTACT MATERIAL:
Beryllium Copper Alloy 172, HT

DIMENSION IN INCHES
TOLERANCES ON:
LENGTHS: ±.005
DIAMETERS: ±.002
ANGLES: ± 2°

ORDER CODE: **XXXX - X - 17 - XX - 30 - XX - 02 - 0**

BASIC PART #

SPECIFY SHELL FINISH:
01 200µ" TIN/LEAD OVER NICKEL
80 200µ" TIN OVER NICKEL ◊
15 10µ" GOLD OVER NICKEL ◊

SPECIFY CONTACT FINISH:
02 100µ" TIN/LEAD OVER NICKEL
84 100µ" TIN OVER NICKEL ◊
27 30µ" GOLD OVER NICKEL ◊



CONTACT

#30 CONTACT (DATA ON PAGE 208)